

Art.G90021



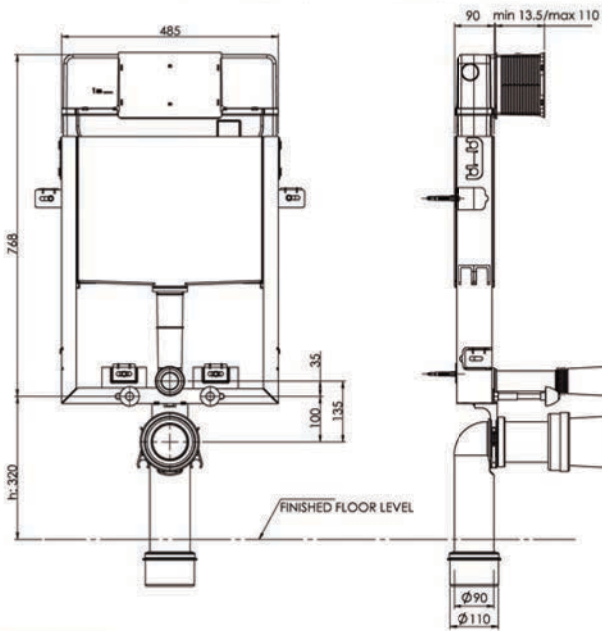
properties

- installation : must be used in wet walls.
- load resistance : 400 kg ( assembled properly in wet wall )
- working pressure range : 0,2-16 bar fill duration : 39secs for 6 lt at 3 bars
- flush volume : 3/6litre ( can be adjusted between 2,5-4,5lt/ 4,5-9lt)
- supply water connection : 1/2" M
- bowl fixing bolt axes : 180mm or 230mm
- Insulation : moulded styrofoam against condensation and noise.
- part list in box : protective channel, support legs, waste bend pipe set, wc connection set
- stop valve for supply line : brass angle valve included in product
- packaging dimensions : 140\*840\*620mm
- weight : 8.6 kg
- thicknesses : 8,5cm, waste bend pipe 9cm (for vertical waste outlet connections).

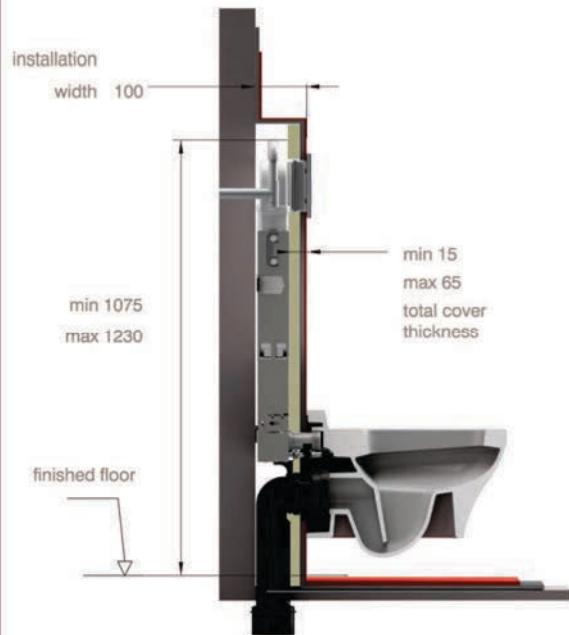
product dimensions

in mm' s.

**h** is the average distance between bolt axis and finished floor surface. Correct distance should be adjusted referring to bowl technical manual.



installation section



installation types



1

wall supporting application into wet wall



2

wall supporting application in wet wall



3

prewall self supporting application for light wall



4

floor mounted self supporting application for light walls